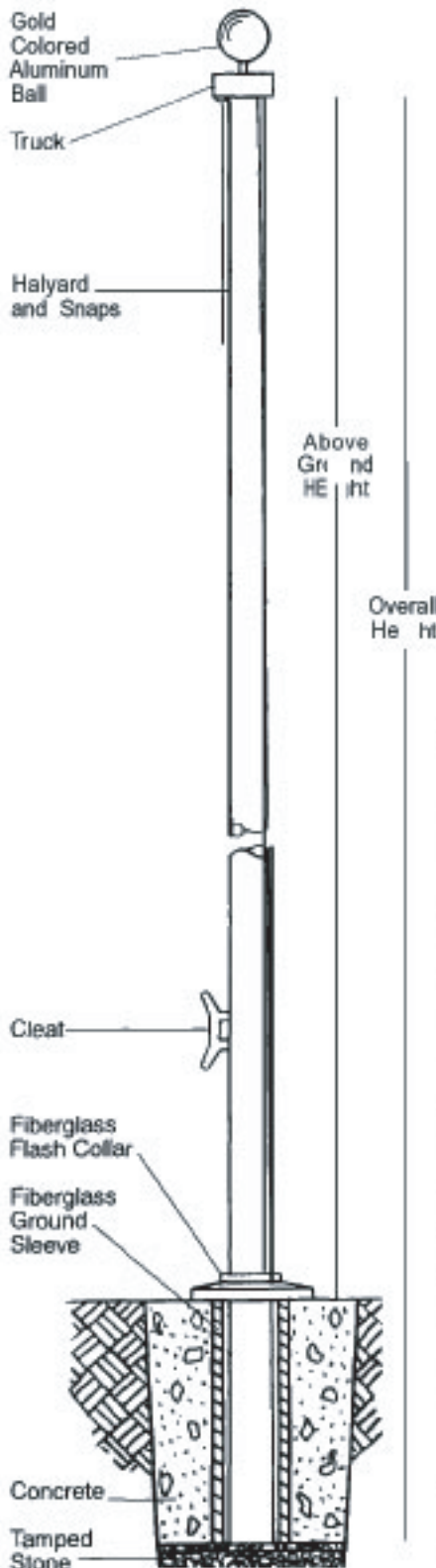


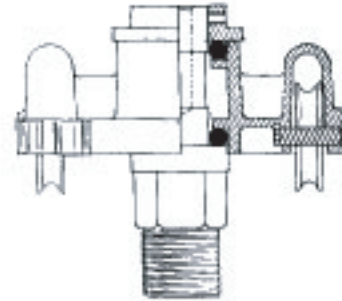
Fiberglass Commercial Ground Set External Halyard Flagpoles 25 X - 80 X



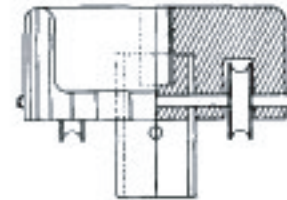
Field Splice Detail



Aluminum Revolving External Truck



Fiberglass Stationary External Truck



Poles 50' and up are equipped with an internal field splice which is cemented and pinned with stainless pins to the bottom section. The top section simply slides over the self-aligning splice for easy field assembly.

Model Number	PLP 25 X	PLP 30 X	PLP 35 X	PLP 40 X*	PLP 50 X	PLP 60 X	PLP 70 X	PLP 80 X*
Above Ground Height	25'	30'	35'	39'	50'	60'	70'	80'
Overall Height	28'	33'	39'	43'	55'	66'	77'	88'
Butt Diameter	6"	6.5"	7"	7"	10"	10.5"	16"	16.75"
Top Diameter	3"	3"	3"	3"	4.4"	4.4"	7"	7"
Pole Weight (lbs.)	54	69	96	118	284	429	700	950
Shipping Weight (lbs.)**	101	128	166	189	547	688	1000	1350
Ground Sleeve I.D.	8"	8"	8"	8"	14"	14"	20"	20"
Ground Sleeve Length	3'	3'	4'	4'	5'	6'	7'	8'
Cleat	8 1/2" Nylon	8 1/2" Nylon	8 1/2" Nylon	8 1/2" Nylon	10" Alum.	10" Alum.	10" Alum.	10" Alum.
Ball Diameter	5"	6"	6"	8"	10"	10"	14"	14"
Halyard	#10	#10	#10	#10	#12	#12	#12	#12
Flash Collar	16"	16"	16"	16"	23"	23"	30"	30"
Truck	F/G	F/G	F/G	F/G	Rev. Alum.	Rev. Alum.	Rev. Alum.	Rev. Alum.
Snaps	Brass Swivel	Brass Swivel	Brass Swivel	Brass Swivel	S/S Swivel	S/S Swivel	S/S Swivel	S/S Swivel
Standard Flag Size	4x6	5x8	5x8	6x10	8x12	10x15	12x18	12x18

* This pole is equipped with a ground set extension which fits into the butt of the pole. The entire assembly then slides into the ground sleeve. Detailed instructions come with each pole.

** Shipping weight includes weight of packaging and fittings